

HP 8901B Modulation Analyzer

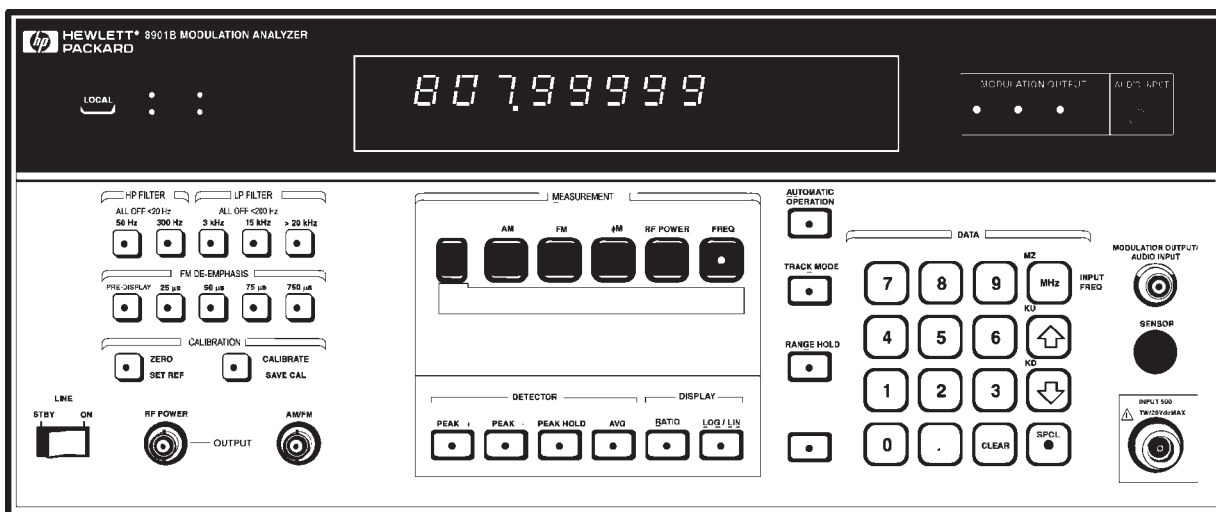
150 kHz - 1300 MHz

HP 11722A Sensor Module

100 kHz - 2600 MHz

Technical Specifications

Four Instruments In One



- **RF Power: ± 0.02 dB instrumentation accuracy**
- **RF Frequency: 10 Hz resolution**
- **AM and FM: 1% accuracy**
- **ϕ M: 3% accuracy**
- **Audio Characterization**
AC Volts: $\pm 4\%$ accuracy
Frequency: 6 digits of resolution
Distortion: ± 1 dB accuracy

The HP 8901B Modulation Analyzer combines four precise measurement functions into one fully automatic, HP-IB programmable instrument. It includes a power meter, modulation analyzer, frequency counter, and audio analyzer. For precise signal analysis, the HP 8901B Modulation Analyzer provides the performance you need, the features you want, and the reliability and serviceability you expect.

RF Power delivers the accuracy and resolution of a high performance power meter. The HP 8901B with the HP 11722A Sensor Module measures power from +30 dBm to -20 dBm at frequencies from 100 kHz to 2.6 GHz. The HP 8901B accepts all HP 8480 series power sensors for extended measurement capability.

AM and FM measurements offer 1% accuracy (3% accuracy for ϕ M) and fast one-key operation. The HP 8901B has extremely low internal noise, and very low AM/ ϕ M and ϕ M/AM conversion, for accurately measuring residual and incidental AM, FM and ϕ M on a wide range of simple and complex modulated signals.

RF Frequency of complex modulated signals can be difficult to measure, but not with the HP 8901B. Automatically tuning to the largest input signal or to any user specified frequency, the HP 8901B counts with 10 Hz resolution.

Audio distortion, frequency and level measurements provide comprehensive characterization of the modulation signal.

HP 8901B Modulation Analyzer and HP 11722A Sensor Module

In **Track Mode**, the Analyzer continuously tracks a swept signal. **Range Hold** freezes the instrument settings at their current value.

Indicators display current HP-IB STATUS.

Independently selectable high-pass and low-pass filters match the post-detection bandwidth to the application.

Four standard de-emphasis networks are available for FM measurements. Using the **Pre-display key**, the de-emphasis networks are positioned before the displayed measurement circuit, to display "de-emphasized" FM deviation.

Zero the HP 11722A Sensor Module without removing it from the device under test.

Accurate 1mW reference for RF power calibration.

AM/FM calibrator provides extremely accurate signals for modulation calibration. AM depth and FM deviation are calibrated to 0.1% accuracy.

Modulation detector keys select positive peak, negative peak, \pm peak/2, average, or rms detectors. **Peak Hold** is used with either peak detector for measuring transients.

Selectable formats display results in the units desired.

Pull-out information cards for quick reference to instrument operation, special functions, and error messages.

Special function key for complete control of Analyzer-functions. This key also executes many built-in troubleshooting routines.

If using the HP 8901B without the HP 11722A, input circuitry is protected from damage for signals up to 25 watts.

Store and recall instrument settings in eight non-volatile memory locations.

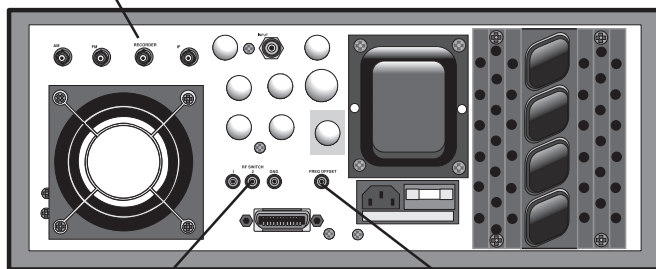
Enter RF Power calibration factors into non-volatile memory for automatic compensation of power sensor efficiency and mismatch loss.

This connector has two functions. It serves as a **recovered modulation output** for external measurements, or **external audio input** for ac level, frequency or distortion measurements.

The Analyzer automatically recognizes which power sensor is used and sets the appropriate power ranges.

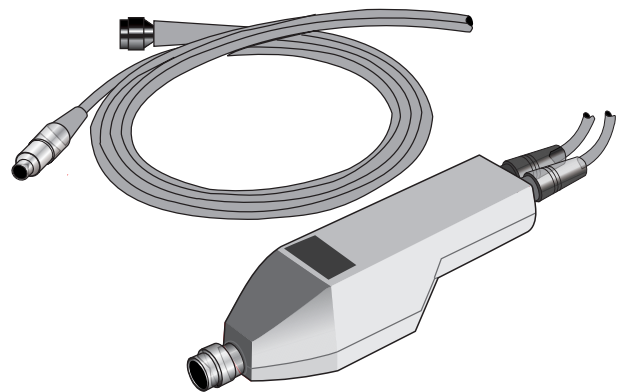
Large 10-digit LED display for all measured results and error messages.

Recorder output provides a dc voltage proportional to the measured result.



Remote control output for user configured power sensor/receiver input switch.

TTL level indicates **Frequency Offset Mode**.



With the **HP 11722A Sensor Module**, all measurements including RF Power are made at a single connector.



HP-IB: Not just IEEE-488, but the hardware, documentation and support that delivers the shortest path to a measurement system.

For Your Applications

Transmitter Testing

You can perform your standard transmitter measurements with the HP 8901B Modulation Analyzer. It measures transmitter output power very accurately, and it counts frequency to 10 Hz resolution. The HP 8901B will accurately measure the signal modulation, and characterize the demodulated audio signal's frequency, level and distortion.

The HP 8901B includes many features designed for transmitter testing, such as a Peak Hold detector for capturing short transient modulation signals and a special Tone-Burst-Receiver Mode. Using this mode, audio signals are captured and demodulated in <5 msec. This is used for demodulating signalling tones sent when a transmitter is first keyed. Because the HP 8901B may be directly connected to the output of the transmitter, overpower protection to 25 watts is standard.

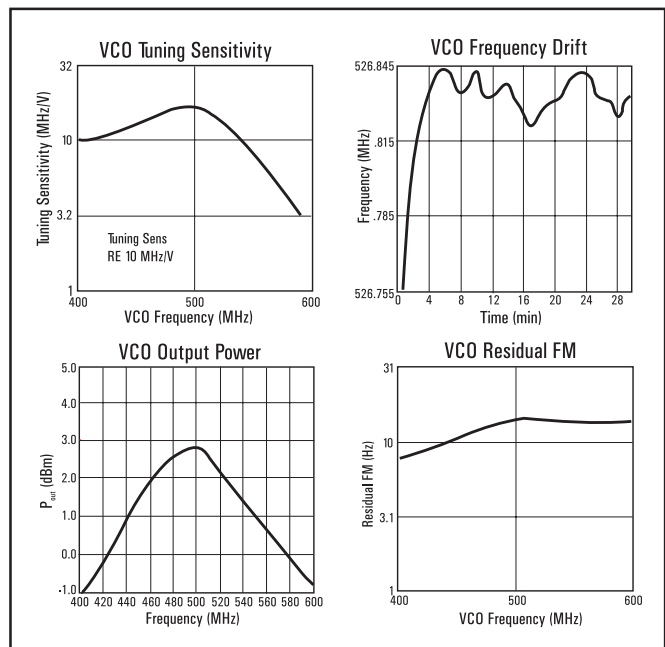


RF Signal Characterization

The HP 8901B Modulation Analyzer is an excellent lab and production tool for accurately characterizing RF signals from 150 kHz to 1300 MHz.

The HP 8901B's built-in power meter eliminates the need for an external power meter. Unlike diode detectors, the HP 8901B's power meter accurately measures signals with harmonics and spurious.

Use the HP 8901B to perform residual AM and FM measurements of such low noise sources as crystal oscillators, or make accurate AM/ ϕ M and AM/AM conversion measurements of phase and amplitude sensitive devices such as bandpass filters and multiple channel receivers. Excellent isolation between AM and FM makes it simple to separate the AM and ϕ M of AM stereo, incidental AM of FM transmitters and the AM, FM and ϕ M components of complex signals.



Automatic Test Systems

The HP 8901B is an important component of automatic RF test systems. All functions – power measurement, frequency count, modulation, and audio analysis – are fully automatic and easily programmed. With these measurements combined into one instrument, interfacing requirements, hardware costs, and software development time are reduced.

Because of its precision modulation and power measurements, the HP 8901B is a valuable tool for calibrating automatic test systems.

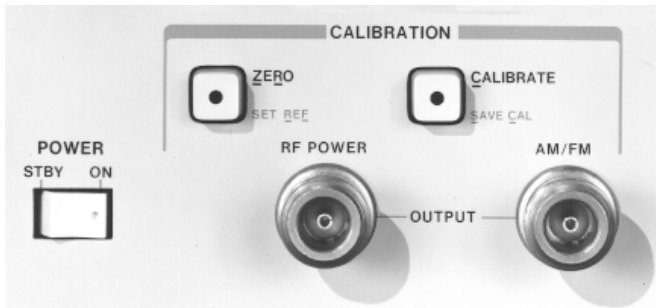
Performance You Need

RF Power: Power Meter Accuracy

The HP 8901B Modulation Analyzer performs power measurements with superb accuracy and measurement ease. Power meter linearity is ± 0.02 dB plus ± 0.02 dB per range change. With a single key stroke the HP 8901B automatically senses the power sensor type, autoranges to the input signal, measures its power, compensates for sensor flatness, and displays the results in units you choose. In addition to the HP 11722A Sensor Module, the HP 8901B accepts all HP 8480 series power sensors for power measurements from -70 dBm (100 pW) to +44 dBm (25W) at frequencies from 100 kHz to 26.5 GHz.

If you change sensors, just enter the new calibration factors into non-volatile memory, either from the keyboard or via HP-IB. You can store two complete sets of sensor calibration factors.

The front panel Power Reference enables precise calibration of your power sensor at the reference calibration factor frequency. This 50 MHz reference is set to 1.00 mW $\pm 0.7\%$, traceable to the U.S. National Bureau of Standards.



RF Power and AM/FM calibrators

RF Frequency: High Resolution

The HP 8901B Modulation Analyzer counts all types of modulated signals with 10 Hz resolution. The high stability reference option has an aging rate of less than 1×10^{-9} /day. For selectively counting low level signals, use the HP 8901B's manual tune mode.

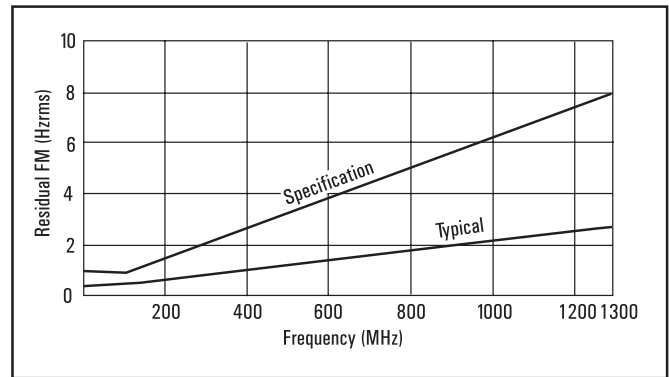
Audio: Built-in Convenience

The HP 8901B's audio capabilities often eliminate the need for external equipment when measuring demodulated signals or external audio signals. The Analyzer counts audio frequencies with 6 digits of resolution, measures distortion of 400 Hz and 1000 Hz signals and measures rms levels from 100 mV to 3V with 4% accuracy.

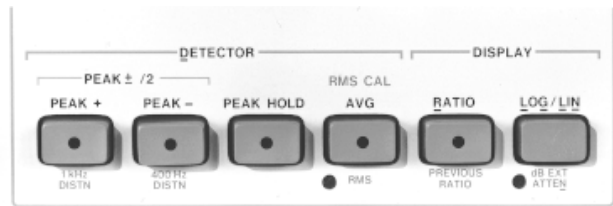
AM, FM and ϕ M: Superb Accuracy

Precise AM, FM, and ϕ M measurements are a major contribution of the HP 8901B Modulation Analyzer. Basic measurement accuracy is 1% for AM and FM and 3% for ϕ M. With excellent separation between the FM discriminator and AM detector, incidental AM and FM measurements are made easily and accurately.

Residual AM in a 50 Hz to 3 kHz bandwidth is less than 0.01%. The very low noise FM discriminator makes residual FM measurements of less than 1 Hz at 100 MHz increasing linearly with frequency to less than 8 Hz at 1300 MHz.



Select from six detectors for modulation measurements. In addition to positive and negative peak detectors, the HP 8901B provides a \pm Peak/2 detector. For residual noise measurements, choose from an average responding detector which is rms sinewave calibrated or a true rms detector. The Peak Hold detector captures and holds the maximum positive or negative peak modulation of a signal. This is ideal for modulation limiting tests.

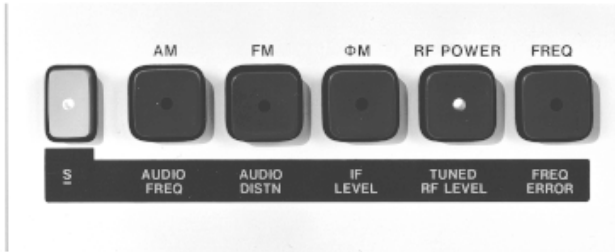


The AM/FM calibrator provides extremely accurate modulated signals with $\pm 0.1\%$ accuracy, for easy self-check and re-calibration of the instrument AM and FM calibration factors.

Features You Want

Single Key Measurements

The HP 8901B is very easy to use. In automatic operation, all major functions are selected with a single key. No manual tuning or range selection is needed. The front panel is simple, uncluttered, and easy to use.

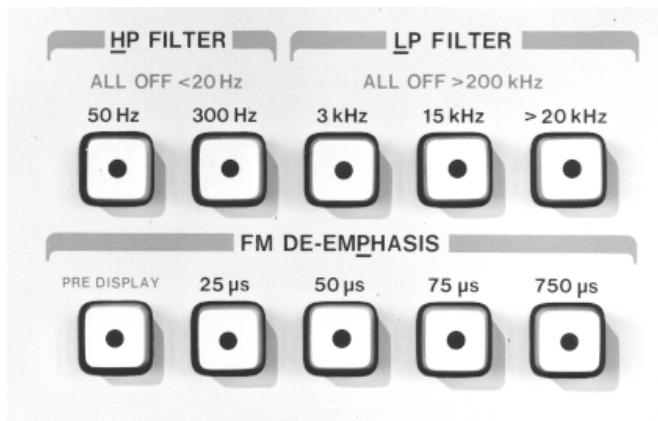


Flexible Display Formats

The HP 8901B offers numerous data display formats. For example, RF power can be displayed in watts, dBm, volts, dB V, mV, dB mV, μ V, and dB μ V. Use the Ratio and Log/Lin keys to display results in dB or % relative to a measured value or a value entered from the keyboard. These features often eliminate the need for manual calculations.

Selectable Filters

Independently selectable high-pass and low-pass audio filters remove undesired signals such as harmonics, noise and spurious from the recovered modulation signal. The >20 kHz Bessel filter minimizes overshoot from squarewave modulation. There are also four de-emphasis networks for common FM communication and broadcast applications.



Flexible Tuning Modes

The HP 8901B Modulation Analyzer is fully automatic. Select the measurement and the HP 8901B tunes to the largest signal. If selective tuning is needed, enter the approximate frequency on the keyboard. Use Track mode to follow signals which vary in frequency.

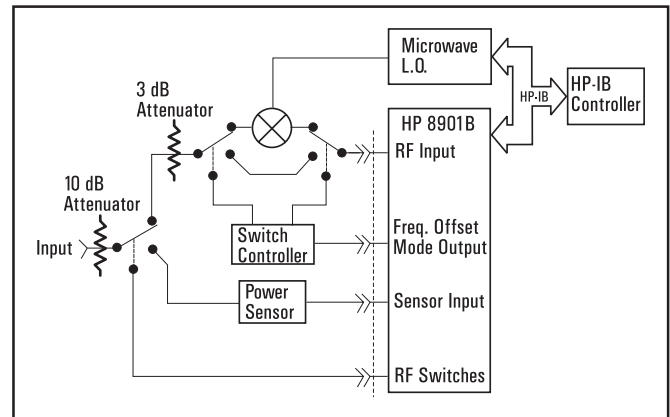
Fully Programmable

All HP 8901B functions are fully programmable via the Hewlett-Packard Interface Bus (HP-IB). Programming commands are easy to generate. This ease of use coupled with the multiple functions of the HP 8901B make it a powerful tool for system applications.

Operation to 26.5 GHz and Beyond

For your measurement needs above 1300 MHz, use the Frequency Offset mode in the system configuration shown. This mode extends the HP 8901B capabilities to microwave frequencies.

The system functions as a single instrument, making microwave modulation, frequency, and power measurements. You control operation from the HP 8901B front panel. When the external LO frequency must be changed, the HP 8901B requests the external controller to make the change. A separate non-volatile cal-factor table is available in Frequency Offset mode for your microwave power sensor. Measurement performance is maintained, except for the increase in residual FM and ϕ M noise due to the external LO.



Store and Recall

You can store eight complete front panel settings in non-volatile memory for later recall. With this feature you can quickly change between major measurement settings.

Special Functions

Special functions extend your control over the instrument. Examples of this include selecting frequency count resolution, measuring SINAD, measuring external audio signals and signaling when a measured value exceeds a previously entered limit.

Reliability and Serviceability You Expect

Designed-in Reliability

High reliability is a key goal of the HP 8901B Modulation Analyzer. Thorough stress analyses under actual operating conditions were performed on every component. Parts used in the HP 8901B are carefully evaluated on an ongoing basis, and many are burned in, reducing failures. Careful design of internal airflow minimizes internal temperature rise, significantly extending component life. Extensive environmental stress testing has been performed on production instruments, and the instrument is periodically requalified, ensuring you the highest quality.

Built-in Diagnostics

Many features of the HP 8901B aid in troubleshooting and repair. Front panel special functions perform extensive self-diagnostics and display internal signal voltages and frequencies, so you can check many internal circuits without removing any covers. Remove the top cover and you gain access to more test points and indicators. If repair should become necessary, you can remove most boards or assemblies in seconds with only a screwdriver and connector wrench.



Burned-in parts improve reliability

HP 11722A Sensor Module

A Single RF Input Connection

With the HP 11722A Sensor Module, you get all the performance of the Modulation Analyzer, plus superb power measurement accuracy, at a single connector. You can characterize a signal without manually switching between the power sensor and the analyzer's RF input.

Low Input SWR and Insertion Loss

Special care is taken with each sensor module to minimize input SWR and resulting errors. A low SWR attenuator isolates the power sensor from the source under test, reducing mismatch. Microwave hardware and a selected RF input cable further improve SWR and insertion loss.

Zero the Sensor with One Keystroke

You can zero the HP 11722A power sensor without removing it from the source under test. Just push the HP 8901B ZERO key. After eight seconds, zeroing is completed and the new zero offsets are stored automatically.

Individually Calibrated

Each HP 11722A Sensor Module is individually calibrated, traceable to the U.S. National Bureau of Standards. The calibration factors are printed on the sensor module for easy reference. Enter these factors into the HP 8901B non-volatile memory and the instrument automatically compensates for the power sensor efficiency and mismatch loss at each frequency, interpolating where necessary.



N.B.S. Traceable Calibration Factors

HP 8901B Specifications

RF Power

The HP 8901B Modulation Analyzer, with HP 11722A Sensor Module, performs RF Power Measurements from -20 dBm ($10 \mu\text{W}$) to $+30$ dBm (1W) at frequencies from 100 kHz to 2.6 GHz. The HP 8901B can be used with any of the HP 8480 series power sensors (HP 8481A/1B/1H/2A/2B/2H/3A/4A/5A) to make power measurements from -70 dBm (10pW) to $+44$ dBm (25W) at frequencies from 100 kHz to 26.5 GHz. The HP 8480 series sensors also work with the HP 435A and HP 436A Power Meters. Unless otherwise specified, the specifications shown below refer to the HP 8901B only. A detailed explanation of how the uncertainty specifications provided below affect the absolute power measurement accuracy of the HP 8901B is provided in Application Note 64-1.

RF POWER RESOLUTION¹:

0.1% of full scale in watts or volts mode.
 0.01 dB in dBm or $\text{dB}_{\text{relative}}$ mode.

LINEARITY (includes sensor nonlinearity):

RF range linearity \pm RF range-to-range change error.

RF RANGE LINEARITY (using Recorder Output)²:

± 0.02 dB, RF ranges 2 – 5.
 ± 0.03 dB, RF range 1.
Using front-panel display add ± 1 count of least-significant digit.

RF RANGE-TO-RANGE CHANGE ERROR:

± 0.02 dB/RF Range Change from reference range.

INPUT SWR: <1.15 , using HP 11722A Sensor Module.

ZERO SET (DIGITAL SETTABILITY OF ZERO):

$\pm 0.07\%$ of full scale of lowest range.
Decrease by a factor of 10 for each higher range.

Supplemental Characteristics:

ZERO DRIFT OF METER:

$\pm 0.03\%$ of full scale/ $^{\circ}\text{C}$ of lowest range.

NOISE (at constant temperature, peak change over any one-minute interval for the HP 11722A Sensor Module and HP 8481A/1B/1H/2A/2B/2H/3A/5A Sensors):

0.4% of full scale on range 1 (lowest range).
 0.13% of full scale on range 2
 0.013% of full scale on range 3.
 0.0013% of full scale on range 4.
 0.00013% of full scale on range 5.
For HP 8484A Sensor multiply noise by five on all ranges.

ZERO DRIFT OF SENSORS (1 HOUR, AT CONSTANT TEMPERATURE AFTER 24-HOUR WARM-UP):

$\pm 0.1\%$ of full scale of lowest range for HP 11722A Sensor Module and HP 8481A/1B/1H/2A/2B/2H/3A/5A sensors.
 $\pm 2.0\%$ of full scale of lowest range for HP 8484A sensor.
Decrease by a factor of 10 for each higher range.

RF POWER RANGES OF 8901B MODULATION ANALYZER WITH HP 11722A SENSOR MODULE:

-20 dBm to -10 dBm ($10 \mu\text{W}$ to $100 \mu\text{W}$), range 1.
 -10 dBm to $+0$ dBm ($100 \mu\text{W}$ to 1mW), range 2.
 $+0$ dBm to $+10$ dBm (1mW to 10mW), range 3.
 $+10$ dBm to $+20$ dBm (10mW to 100mW), range 4.
 $+20$ dBm to $+30$ dBm (100mW to 1W), range 5.

RESPONSE TIME (0 to 99% OF READING):

<10 seconds, range 1.
 <1 second, range 2.
 <100 milliseconds, ranges 3-5

DISPLAYED UNITS:

watts, dBm, $\text{dB}_{\text{relative}}$, $\%_{\text{relative}}$, volts, mV, μV , dB V, dB mV, dB μV .

INTERNAL NON-VOLATILE CAL-FACTOR TABLES (user-modifiable using special functions):

MAXIMUM NUMBER OF CAL FACTOR/FREQUENCY ENTRIES:

Table #1 (Primary): 16 pairs plus Reference Cal Factor.

Table #2 (Frequency Offset): 22 pairs plus Reference Cal Factor.

MAXIMUM ALLOWED FREQUENCY ENTRY: 42GHz .

FREQUENCY ENTRY RESOLUTION: 50kHz .

CAL FACTOR RANGE: 40 to 120% .

CAI FACTOR RESOLUTION: 0.1% .

Power Reference

POWER OUTPUT:

1.00mW . Factory set to $\pm 0.7\%$, traceable to the U.S. National Bureau of Standards.

ACCURACY: $\pm 1.2\%$ worst case ($\pm 0.9\%$ rss) for one year (0°C to 55°C).

Supplemental Characteristics:

FREQUENCY: 50MHz nominal.

SWR: 1.05 nominal.

FRONT PANEL CONNECTOR: Type-N female

1 The HP 8901B fundamental RF Power measurement units are watts. Further internal processing is done on this number to display all other units.

2 When using HP 8484A sensor the noise specification may mask the linearity specification and become the predominant error. When operating on the top RF power range, add the Power Sensor Linearity percentages found in the power sensor specifications.

All parameters describe performance in automatic operation or properly set manual conditions. **Specifications** describes the instrument's warranted performance.

Supplement Characteristics (shown in italics) are intended to provide information useful in applying the instrument by giving typical, but non-warranted, performance parameters.

Amplitude Modulation

RATES:

20 Hz to 10 kHz, 150 kHz $\leq f_c < 10$ MHz.
20 Hz to 100 kHz, 10 MHz $\leq f_c \leq 1300$ MHz.

DEPTH: to 99%

ACCURACY^{3,4,5}:

AM Accuracy	Frequency Range	Rates	Depths
$\pm 2\%$ of reading ± 1 digit	150 kHz - 10 MHz	50 Hz - 10 kHz	5% - 99%
$\pm 3\%$ of reading ± 1 digit	150 kHz - 10 MHz	20 Hz - 10 kHz	to 99%
$\pm 1\%$ of reading ± 1 digit	10 MHz - 1300 MHz	50 Hz - 50 kHz	5% - 99%
$\pm 3\%$ of reading ± 1 digit	10 MHz - 1300 MHz	20 Hz - 100 kHz	to 99%

For rms detector add $\pm 3\%$ of reading.

FLATNESS^{6,7}:

AM Accuracy	Frequency Range	Rates	Depths
$\pm 0.3\%$ of reading ± 1 digit	10 MHz - 1300 MHz	90 Hz - 10 kHz	20% - 80%

DEMODULATED OUTPUT DISTORTION:

$< 0.3\%$ THD for $\leq 50\%$ depth.
 $< 0.6\%$ THD for $\leq 95\%$ depth.

FM REJECTION (50 Hz TO 3 kHz BW)⁴:

FM Rejection	Frequency Range	Rates	Deviations
$< 0.2\%$ AM	250 kHz - 10 MHz	400 Hz or 1 kHz	< 5 kHz _{peak}
$< 0.2\%$ AM	10 MHz - 1300 MHz	400 Hz or 1 kHz	< 50 kHz _{peak}

RESIDUAL AM (50 Hz to 3 kHz BW): $< 0.01\%$ _{rms}

Supplemental Characteristics:

DETECTORS: +peak, -peak, \pm peak/2, peak hold, average (rms sine wave calibrated), rms.

MAXIMUM DEPTH, RESOLUTION, AND MAXIMUM DEMODULATED OUTPUT SENSITIVITY ACROSS AN OPEN CIRCUIT (600 Ω OUTPUT IMPEDANCE)⁷:

Maximum Resolution	Maximum Demodulated Output Sensitivity	Depths
0.1%	0.01V / percent	$AM_{peak} \geq 40.0\%$
0.01%	0.1V / percent	$AM_{peak} < 40.0\%$
0.001% (rms detector only)	0.1V / percent	$AM_{rms} < 3.0\%$

³ But not to exceed: 50 Hz to 40 kHz rates for stated accuracy with rms detector.

⁴ Peak residuals must be accounted for in peak readings.
⁵ For peak measurements only: AM accuracy may be affected by distortion generated by the Analyzer. In the worst case this distortion can decrease accuracy by 0.1% of reading for each 0.1% of distortion.

⁶ Flatness is the variation in indicated AM depth for constant depth on input signal.

⁷ For optimum flatness, cables should be terminated with their characteristic impedance.

Frequency Modulation

RATES⁸:

20 Hz to 10 kHz, 150 kHz $\leq f_c < 10$ MHz.
20 Hz to 200 kHz, 10 MHz $\leq f_c \leq 1300$ MHz.

DEVIATIONS:

40 kHz_{peak} maximum, 150 kHz $\leq f_c < 10$ MHz.
400 kHz_{peak} maximum, 10 MHz $\leq f_c \leq 1300$ MHz.

ACCURACY^{3,4,8}:

FM Accuracy	Frequency Range	Rates	Deviations
$\pm 2\%$ of reading ± 1 digit	250 kHz - 10 MHz	20 Hz - 10 kHz	≤ 40 kHz _{peak}
$\pm 1\%$ of reading ± 1 digit	10 MHz - 1300 MHz	50 Hz - 100 kHz	≤ 400 kHz _{peak}
$\pm 5\%$ of reading ± 1 digit	10 MHz - 1300 MHz	20 Hz - 200 kHz	≤ 400 kHz _{peak}

For rms detector add $\pm 3\%$ of reading.

DEMODULATED OUTPUT DISTORTION^{8,9}:

THD	Frequency Range	Rates	Deviations
$< 0.1\%$	400 kHz - 10 MHz	20 Hz - 10 kHz	< 10 kHz
$< 0.1\%$	10 MHz - 1300 MHz	20 Hz - 100 kHz	< 100 kHz

AM REJECTION (50 Hz TO 3 kHz BW)⁴:

AM Rejection	Frequency Range	Rates	Depths
< 20 Hz peak deviation	150 kHz - 1300 MHz	400 Hz or 1 kHz	$\leq 50\%$

RESIDUAL FM (50 Hz to 3 kHz BW):

< 8 Hz_{rms} at 1300 MHz, decreasing linearly with frequency to < 1 Hz_{rms} for 100 MHz and below.

Supplemental Characteristics

MAXIMUM FM DEVIATION, RESOLUTION, AND MAXIMUM DEMODULATED OUTPUT SENSITIVITY ACROSS AN OPEN CIRCUIT (600 Ω OUTPUT IMPEDANCE)⁷:

Maximum Resolution	Maximum Demodulated Output Sensitivity	Deviations
100 Hz	0.01 mV/Hz	$\Delta F_{peak} \geq 40$ kHz
10 Hz	0.1 mV/Hz	4.0 kHz $\leq \Delta F_{peak} < 40$ kHz
1 Hz	1.0 mV/Hz	$\Delta F_{peak} < 4$ kHz
0.1 Hz (rms detector only)	1.0 mV/Hz	$\Delta F_{rms} < 0.3$ kHz

Resolution is increased one digit with 750 μ s de-emphasis and pre-display on.

The demodulated output signal present at the Modulation Out/Audio In connector is increased in amplitude by a factor of 10 with 750 μ s de-emphasis.

⁸ But not to exceed: 20 kHz rates and 40 kHz peak-deviations with 750 μ s de-emphasis filter.

⁹ With 750 μ s de-emphasis and pre-display "off," distortion is not specified for modulation outputs $> 4V$ peak. This condition can occur near maximum deviation for a measurement range, at rates < 2 kHz.

DEMODULATED OUTPUT DISTORTION:

THD	Frequency Range	Rates	Deviations
<0.3%	150 kHz - 400 kHz	20 Hz - 10 kHz	<10 kHz

DETECTORS: +peak, - peak, ±peak/2, peak hold, average (rms sinewave calibrated), rms.

STEREO SEPARATION (50 Hz to 15 kHz): >47 dB.

Phase Modulation

RATES:

200 Hz to 10 kHz, 150 kHz ≤ f_c < 10 MHz.
200 Hz to 20 kHz, 10 MHz ≤ f_c ≤ 1300 MHz.

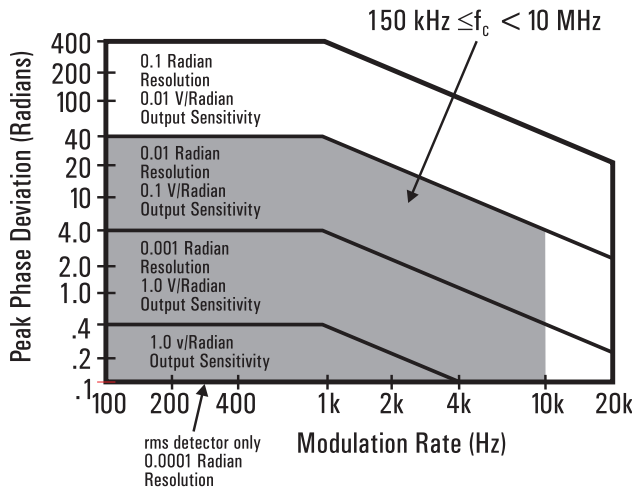
ACCURACY⁴:

±4% of reading ±1 digit, 150 kHz ≤ f_c < 10 MHz.
±3% of reading ±1 digit, 10 MHz ≤ f_c ≤ 1300 MHz
For rms detector add ±3% of reading.

DEMODULATED OUTPUT DISTORTION: <0.1% THD.

AM REJECTION (FOR 50% AM AT 1 kHz RATES)⁴:
<0.03 radians peak (50 Hz to 3 kHz BW).

MAXIMUM DEVIATION, RESOLUTION, AND MAXIMUM DEMODULATED OUTPUT SENSITIVITY ACROSS AN OPEN CIRCUIT (600Ω OUTPUT IMPEDANCE)⁷:



Supplemental Characteristics:

MODULATION RATES: usable from 20 Hz to 100 kHz with degraded performance.

DETECTORS: +peak, - peak, ±peak/2, peak hold, average (rms sinewave calibrated), rms.

Modulation Reference

AM CALIBRATOR DEPTH AND ACCURACY:
33.33% depth nominal, internally calibrated to an accuracy of ±0.1%.

FM CALIBRATOR DEVIATION AND ACCURACY:
34 kHz peak deviation nominal, internally calibrated to an accuracy of ±0.1%.

Supplemental Characteristics:

CARRIER FREQUENCY: 10.1 MHz.

MODULATION RATE: 10 kHz.

OUTPUT LEVEL: - 25 dBm.

Frequency Counter

RANGE: 150 kHz to 1300 MHz.

MAXIMUM RESOLUTION: 10 Hz.

DEMODULATED OUTPUT DISTORTION: <0.1% THD.

ACCURACY: ±3 counts of least-significant digit ± Reference accuracy.

Supplemental Characteristics:

MODES: Frequency and Frequency Error [displays the difference between the frequency entered via the keyboard and the actual RF input frequency].

SENSITIVITY IN MANUAL TUNING MODE:
0.22 mV_{rms} (- 60 dBm). (Approximate frequency must be entered from keyboard.)

Internal Reference

FREQUENCY: 10 MHz.

AGING RATE:

<1 X 10⁻⁶/month.
<1 X 10⁻⁹/day (Option 002)¹⁰.

Supplemental Characteristics:

INTERNAL REFERENCE ACCURACY:

Overall accuracy is a function of time base calibration ± aging rate ± temperature effects ± line voltage effects ± short-term stability.

	Standard	Option 002
Aging Rate	< 1 x 10 ⁻⁶ /mo	< 1 x 10 ⁻⁹ /day
Temperature Effects	< 2 x 10 ⁻⁷ /C ⁰	< 2 x 1-10 ⁻¹⁰ /C ⁰
Line Voltage Effects (+ 5%, -10% Line Voltage Change)	< 1 x 10 ⁻⁶	< 6 x 10 ⁻¹⁰
Short Term Stability	-	< 1 x 10 ⁻⁹ for 1 s average

¹⁰ After 30 day warm-up.

Audio Frequency Counter

FREQUENCY RANGE:

20 Hz to 250 kHz. (Usable to 600 kHz.)

MAXIMUM EXTERNAL INPUT VOLTAGE: $3V_{\text{rms}}$

Accuracy (For Demodulated Signals)¹¹:

Accuracy	Frequency	Modulation (Peak)
± 3 counts of least significant digit \pm Internal Reference Accuracy	> 1 kHz	AM $\geq 10\%$ FM ≥ 1.0 kHz $\phi M \geq 1.5$ radians
± 0.02 Hz \pm Internal Reference Accuracy	≤ 1 kHz	AM $\geq 10\%$ FM ≥ 1.0 kHz $\phi M \geq 1.5$ radians
± 0.2 Hz \pm Internal Reference Accuracy (3 kHz low-pass filter inserted)	≤ 3 kHz	$1.5\% \leq \text{AM} < 10\%$ $0.15 \text{ kHz} \leq \text{FM}$ < 1.0 kHz $0.15 \text{ radian} \leq \phi M$ < 1.5 radians

Accuracy (For External Signals)¹¹:

Accuracy	Frequency	Level
± 3 counts of least-significant digit \pm Internal Reference	> 1 kHz	$\geq 100 \text{ mV}_{\text{rms}}$
± 0.02 Hz \pm Internal Reference Accuracy	≤ 1 kHz	$\geq 100 \text{ mV}_{\text{rms}}$

Supplemental Characteristics:

DISPLAYED RESOLUTION: 6 digits.

MEASUREMENT RATE: 2 readings/s.

COUNTING TECHNIQUE:

Reciprocal with internal 10 MHz time base.

AUDIO INPUT IMPEDANCE: 100 k Ω nominal.

Audio Distortion

FUNDAMENTAL FREQUENCIES:

400 Hz $\pm 5\%$ and 1 kHz $\pm 5\%$.

MAXIMUM EXTERNAL INPUT VOLTAGE: 3V.

DISPLAY RANGE:

0.01% to 100.0% (-80.00 dB to 0.00 dB).

DISPLAYED RESOLUTION: 0.01% or 0.01 dB.

ACCURACY: ± 1 dB of reading.

SENSITIVITY:

Modulation: 0.15 kHz peak FM, 1.5% peak AM or 0.6 radian peak ϕM .

External: $100 \text{ mV}_{\text{rms}}$.

RESIDUAL NOISE AND DISTORTION¹²:

0.3% (-50 dB), temperature $< 40^\circ\text{C}$.

Supplemental Characteristics:

MEASUREMENT 3 dB BANDWIDTH: 20 Hz to 50 kHz.

DETECTION: True rms.

MEASUREMENT RATE: 1 reading/s.

AUDIO INPUT IMPEDANCE: 100 k Ω nominal.

Audio RMS Level

FREQUENCY RANGE: 50 Hz to 40 kHz.

VOLTAGE RANGE: 100 mV to 3V.

ACCURACY: $\pm 4.0\%$ of reading.

Supplemental Characteristics:

FULL RANGE DISPLAY: .3000V, 4.000V.

AC CONVERTER: true-rms responding for signals with crest factor of ≤ 3 .

MEASUREMENT RATE: 2 readings/s.

AUDIO INPUT IMPEDANCE: 100 k Ω nominal.

Audio Filters

DE-EMPHASIS FILTERS: 25 μs , 50 μs , 75 μs , and 750 μs . De-emphasis filters are single-pole, low-pass filters with 3 dB frequencies of: 6366 Hz for 25 μs , 3183 Hz for 50 μs , 2122 Hz for 75 μs , and 212 Hz for 750 μs .

50 Hz HIGH-PASS FILTER (2 POLE):

Flatness: $< 1\%$ at rates ≥ 200 Hz.

300 Hz HIGH-PASS FILTER (2 POLE):

Flatness: $< 1\%$ at rates ≥ 1 kHz.

3 kHz LOW-PASS FILTER (5 POLE):

Flatness: $< 1\%$ at rates ≤ 1 kHz.

15 kHz LOW-PASS FILTER (5 POLE):

Flatness: $< 1\%$ at rates ≤ 10 kHz.

> 20 kHz LOW-PASS FILTER (9 POLE BESSEL)¹³:

Flatness: $< 1\%$ at rates ≤ 10 kHz.

Supplemental Characteristics:

DE-EMPHASIS FILTER TIME CONSTANT ACCURACY: $\pm 3\%$.

HIGH PASS AND LOW PASS FILTER: 3 dB

FREQUENCY ACCURACY: $\pm 3\%$.

> 20 kHz LOW PASS FILTER:

3 dB Cutoff Frequency: 100 kHz nominal,

OVERSHOOT ON SQUARE WAVE MODULATION¹³: $< 1\%$.

¹¹ With the low-pass and high-pass audio filters used to stabilize frequency readings.

¹² For demodulated signals, the residual noise generated by the HP 8901B must be accounted for in distortion measurements. (that is residual AM, FM or ϕM .)

¹³ The > 20 kHz low-pass filter is intended for minimum overshoot with squarewave modulation.

RF Input

FREQUENCY RANGE: 150 kHz to 1300 MHz

OPERATING LEVEL:

Minimum Operating Level	Maximum Operating Level	Frequency Range
12 mV _{rms} (-25 dBm)	7 Vrms (1 Wpeak) Source SWR < 4	150 kHz - 650 MHz
22 mV _{rms} (-20 dBm)	7 Vrms (1 Wpeak) Source SWR < 4	650 MHz - 1300 MHz

Supplemental Characteristics:

TUNING:

Normal Mode: Automatic and Manual frequency entry.

Track Mode: Automatic and Manual frequency entry, $f_c \geq 10$ MHz.

Acquisition Time (Automatic Operation): ~1.5s

INPUT IMPEDANCE: 50 Ω nominal.

MAXIMUM SAFE DC INPUT LEVEL: 5V.

General Specifications

TEMPERATURE: Operating: 0 °C to 55 °C.
Storage: -55 °C to 75 °C.

REMOTE OPERATION: HP-IB; all functions except the line switch are remotely controllable.

HP-IB COMPATIBILITY: (Defined in IEEE 488-1978)
SH1, AH1, T5, TE0, L3, LE0, SR1, RL1, PP0, DC1, DT1, C0, E1

EMI: Conducted and radiated interference is within the requirements of VDE 0871 (Level B), and CISPR publication 11.

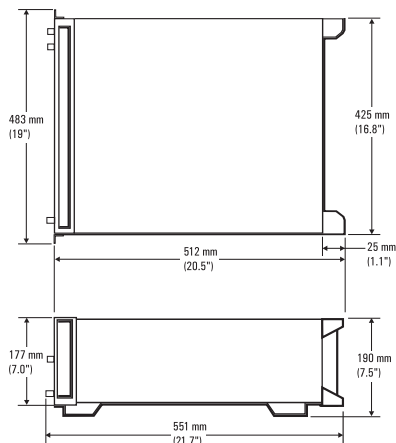
POWER: 200 VA maximum; 100, 120, 220, or 240V (+5%, -10%); 48-66 Hz.

WEIGHT: Net 23.4 kg. (51.5 lb.); Shipping 31.1 kg. (68.5 lb.).

HP SYSTEM II MODULE SIZE: 7 H X 1 MW X 20 D.

HP SYSTEM II MODULE SIZE: 7 H X 1 MW X 20 D

DIMENSIONS:



HP 11722A Sensor Module

FREQUENCY RANGE: 100 kHz to 2.6 GHz.

POWER RANGE: +30 dBm (1 watt) to -20 dBm (10 μ W).

INPUT SWR (CONNECTED TO AN HP 8901B):
<1.15, for RF Power Measurements.

POWER SENSOR LINEARITY:
+2%, -4%; +30 dBm to +20 dBm.
Negligible deviation, levels <+20 dBm.

CALIBRATION FACTORS:

Each HP 11722A Sensor Module is individually calibrated. The calibration factors are printed on the HP 11722A Sensor Module for easy reference.

CAL FACTOR UNCERTAINTY:

Frequency	RSS Uncertainty	Worst Case Uncertainty
0.1 MHz	0.7 %	1.6%
0.3 MHz	0.7%	1.6%
1.0 MHz	0.8%	1.7%
3.0 MHz	0.8%	1.7%
10.0 MHz	0.9%	2.0%
30.0 MHz	0.9%	2.0%
50.0 MHz	0.0% (ref)	0.0% (ref)
100.0 MHz	1.1%	2.2%
300.0 MHz	1.1%	2.2%
1000.0 MHz	1.1%	2.2%
2600.0 MHz	1.2%	2.3%

Supplemental Characteristics:

MAXIMUM PEAK POWER:
100W_{peak} or 300W μ s per pulse.

INPUT IMPEDANCE: 50 Ω nominal.

INPUT CONNECTOR: Type N male.

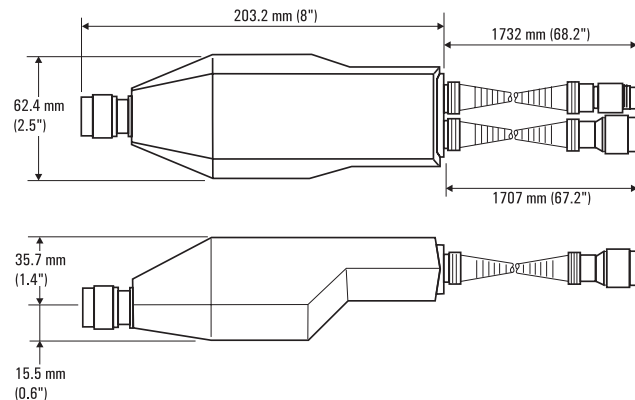
SWITCH LIFE: >1,000,000 switchings.

SWITCH Isolation: >90 dB.

WEIGHT:

Net 0.8 kg. (1.75 lb.); Shipping 1.2 kg. (2.6 lb.);
Gross without manual 1050g.

DIMENSIONS:



Supplemental Characteristics:**FM OUTPUT:**

10 k Ω impedance, -9V to 6V into an open circuit: ~6V/MHz, dc coupled, 16 kHz bandwidth (one pole).

AM OUTPUT:

10 k Ω impedance, -4V to 0V into an open circuit, ~8 mV/%, dc coupled, 16 kHz bandwidth (one pole).

RECORDER OUTPUT:

DC voltage proportional to the measured result, 1 k Ω impedance, 0V to 4V for each resolution range, into an open circuit.

IF OUTPUT:

50 Ω impedance, 150 kHz to 2.5 MHz, -27 dBm to -3 dBm.

10 MHz REFERENCE OUTPUT:

50 Ω impedance, TTL levels (0V to >2.2V into an open circuit), available only with Option 002 1X10⁻⁹/day internal reference, outputs internal reference only.

10 MHz REFERENCE INPUT¹⁴:

>500 Ω impedance, 0.5 V_{peak-to-peak} minimum input level.

LO INPUT (Option 003): 50 Ω impedance, ~1.27 MHz to 1301.5 MHz, 0 dBm.

RF SWITCH REMOTE CONTROL OUTPUT:

Provides output signals to remotely control either an HP 33311B Option 011 or an HP 8761A RF switch.

FREQUENCY OFFSET MODE REMOTE CONTROL OUTPUT:

TTL high output if in frequency offset mode (Special Function 27.1 or 27.3) with an external L.O. frequency >0, TTL low output for all other cases.

¹⁴ External reference accuracy affects accuracy of all measurements.

Ordering Information**HP 8901B Modulation Analyzer**

- Option 001:** Rear panel instead of front panel connections for input, modulation output, and calibrators
- Option 002:** 1X10⁻⁹/day internal reference oscillator
- Option 003:** Rear panel instead of front panel connections which allows use with an external local oscillator
- Option 004:** Operation from 48 Hz to 400 Hz power line (Temp. <40°C)
- Option 021:** Add HP 11722A Sensor Module
- Option 907:** Front panel handle kit
- Option 908:** Rack mounting flange kit
- Option 909:** Front panel handle plus rack mounting flange kit
- Option 910:** Extra manuals

HP 11722A Sensor Module

- Option 910:** Extra manual

Data subject to change
© Hewlett-Packard Company 1997
Printed in U.S.A. 5/98
5966-4569E